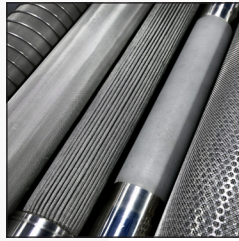


Filter Housing Catalogue

Product Range





Porvair Filtration Group

Filter Housing Catalogue

Complete Product Range



www.porvairfiltration.com

Table of Contents

Introduction	
Introduction to Porvair Filtration Group	4-5
Sanitary Stainless Steel Housings - Liquid	
LS Series - T Style Housing	8-9
JH Series - Junior Style Housing	10-11
Industrial Stainless Steel Housings - Liquid	
SI Series - T Style Single Housing	12-13
Sanitary Stainless Steel Housings - Gas/Air	
SG Series - T Style Single Housing	14-15
PL Series - L Style Multi Housing	16-17
Industrial Plastic Housings	
Standard Plastic Housings	19-20
High Temperature Nylon Housings	21
Pure Polypropylene Housings	22
GIANT HOUSING® Series	23

Product Innovation, Manufacturing, Testing and Quality

We have a policy of continuous improvement in all areas of our business. Listening to customers' present and future requirements is a vital part of our operations and a key part of driving change.

We understand that product development involves building multidisciplinary teams, both within our company, and in partnership with our customers. This continuous development of products and materials is vital to enable us to offer new and better solutions. We have implemented various methodologies to drive out waste and process variance across the company to achieve our goal of zero defects.

Our dedicated team of scientists, engineers, production and quality professionals work towards the best possible filtration solutions for our customers. We have a fully equipped test house and laboratory, and our experienced design engineers use the latest technologies to give full structural assurance capability.

Research and Development

Development plays a fundamental part in our operations and has resulted in us developing a number of custom designed products based on our established porous polymeric materials (Vyon®) and sintered metal media (Sinterflo®), as well as developing a range of filters for fuel tank inerting applications.

We operate across many filtration and separation markets and there is significant interaction between each division in terms of product research and development. Our new product development team is drawn from scientists and engineers from across all divisions, encouraging new ideas and new solutions. The success of this approach has been in the interaction of chemists and engineers working together to find practical solutions to some extremely complex scientific challenges identified in the chosen market areas.

Manufacturing

Our filters, filtration systems and a range of porous materials are produced at our sites worldwide.

Our production capabilities include the complete element or cartridge construction, along with the build of entire tubeplate and vessel assemblies. We boast specialist fabrication skills and techniques in all of our manufacturing sites around the world and extensive ISO cleanroom facilities.



Engineering

From initial design concept through to manufacture and validation to in-service support, our highly experienced team of dedicated engineers work to develop the optimal filtration solution. Our knowledge and strong ethos of working closely with our customers, ensures that we supply filtration solutions that meet specific market requirements.

Testing and Laboratory

Our dedicated test, development and laboratory services underpin our design and development activity; from filtration media and material characterisation, product verification testing to customer system simulation trials and in service performance evaluation. Our capabilities include filtration characterisation, environmental testing and analysis.

Technical Support Services

- **Validation services:**
 - Process specific validation
 - Filter compatibility
 - Retention studies
 - Microbial challenge tests
 - Endotoxin and particulate testing
 - Extractables testing
- **On-site services:**
 - Customer plant surveys
 - Process filter optimisation
 - Trouble-shooting
 - Pre-inspection review
- **Training:**
 - Integrity testing
 - SIP and CIP methods

Quality

Our policy is to provide products and services that consistently satisfy the commitments made to our customers by complying with their requirements, working together as a team and achieving continual improvement in our skills, systems, processes and performance.

We have a dedicated team of quality professionals with many years' experience in the definition, implementation and maintenance of quality management systems meeting multiple industry requirements. This extends across the workforce through a strong quality culture and a philosophy of 'getting it right first time' driven from the top of our organisation.





Stainless Steel Housings



LS Sanitary Housings

Liquid Sanitary Housings



T-style, handy and with a sanitary design, the LS, single and multi-cartridge, is designed for the Food & Beverage Industry for a wide range of applications. Given its hygienic-sanitary design, it can also be used in the Pharmaceutical Industry.

Available in versions from 1 to 30 cartridges of different heights from 10" to 40" with various types of cartridge connections and a wide range of inlet-outlet connections.

The choice of raw materials, AISI 316L stainless steel, the crevice-free hygienic-sanitary design and the mirror-polished surface finish guarantee the best sanitary standards.

The series has a range of certified standards and on request (materials certified, FDA, USP).

PED 2014/68 / EU, ATEX 2014/34 / EU and food compatibility EC 1935/2004.

Features and Benefits

- Suitable for SIP and CIP.
- The AISI 316L stainless steel used for all parts in contact with the fluid guarantee high resistance to corrosion and wear.
- The series is supplied with Vee-Band clamps up to 8 cartridges, as well as with AISI 316 stainless steel "screw clamps" to guarantee every high safety standard.
- High definition custom laser marking.
- Supplied complete with legs with adjustable feet.
- The complete traceability of the materials is guaranteed and certified.
- Designed for quick assembly on implants.
- Sturdy packaging suitable for international transport.

Dimensional Data				
Cartridge Height (N)	C mm	E mm	Volume Liters (V)	PED Category
01 x 10"	790	300	3.0	3.3
01 x 20"	1040	550	4.8	3.3
01 x 30"	1290	800	6.7	1
01 x 40"	1540	1050	8.6	1

Other dimensions available on request.

Specifications

Cartridge Connection Options

- Number of cartridges available:
1, 3, 5, 8, 12, 18, 24, 30
- Cartridge height:
10", 20", 30" and 40"
- Cartridge attachment:
226 code 7 (bayonet), 222 code 8.

Operating Conditions:

- 10bar @ 40°C (145psi @ 104°F)
- 04bar @ 150°C (58psi @ 302°F).

Surface Finish:

- Mirror polished external finish, mechanically polished internal finish Ra <0,8 µm (30 µin).
- Electro-cleaning and Ra <0.4 µm (15 µin) available on request.

Fittings and Connections:

- Vent and drains available with TC and DIN11851 connection (1)
- Adjustable in / out connections with clamp, DIN11851, butt weld and flanged connections (1).
- Other fitting and connections options available on request.

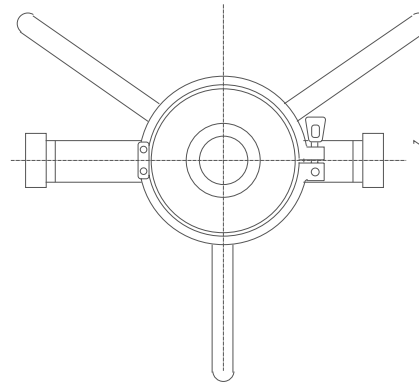
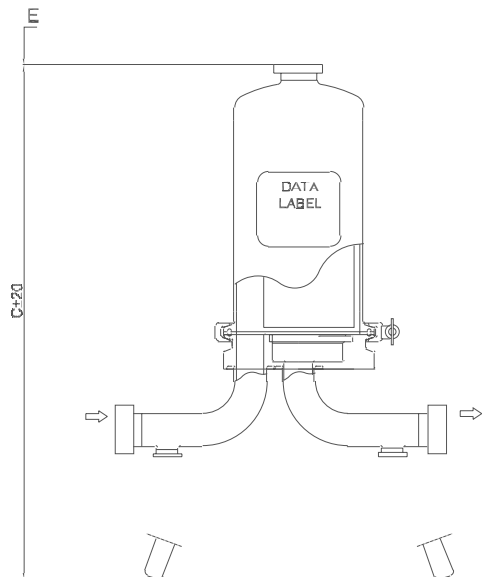
Gasket Materials:

- Standard size gaskets available in silicone, EPDM, Viton® and FEP + encapsulated silicone (1).

Qualification and Documentation:

- Free documents supplied: User manual, Declaration of Conformity and Test Report.
- Cartridge connection verified on 100% of the housings.
- Hydraulic test and final verification carried out before each shipment.

Dimensions



Ordering Information

Product Code: LS - 1 2 3 4 5 6 7 8

1: No. Carts		2: Bowl Height		3: Connector Type		4: Seals		5: Drains		6: Vent		7: Surface Finish		8: Connections	
01	1 cartridge	10	10"	7	Code 7 (226)	S	Silicone	0	No Drain	1	Clamp ASME BPE 1.5"	M	Mechanical Polish	T010	Clamp 1.0" (ASME BPE)
03	3 cartridges	20	20"	8	Code 8 (222)	P	PTFE (Double Clamp)	2	Drain ASME BPE 1.5"	2	DIN 11851 Male Part DN25	E	Electro Polish	D025	DIN11851 DN25
05	5 cartridges	30	30"			E	EPDM	3	DIN 11851 Male Part DN25		Other sizes available on request			D040	DIN11851 DN40
Other sizes available on request		40	40"			V	Viton®	Other sizes available on request						W025	Weld 25,4 x 1,65
														Other sizes available on request	

JH Junior Sanitary Housings



Junior style, handy and with a sanitary design, the JH Junior Housing, is designed for the Food and Beverage Industry for a wide range of applications. Given its hygienic-sanitary design, it can also be used in the Pharmaceutical Industry.

Available in versions 2.5 to 5" with various types of cartridge connections and number of inlet-outlet connections.

The choice of raw materials, AISI 316L stainless steel, the hygienic-sanitary design and the mirror-polished surface finish guarantee the best sanitary standards.

The series has a range of certified standards and on request (materials certified, FDA, USP).

PED 2014/68 / EU, ATEX 2014/34 / EU and food compatibility EC 1935/2004.

Features and Benefits

- Single cartridge 2.5-5"
- Food and beverage grade surface finishing
- Suitable for SIP and CIP
- Materials full traceability
- 316L/1.4404 Stainless Steel and automatic welding ensure corrosion resistance and durability
- Designed according to Pressure Equipment Directive (PED)
- ATEX Compliance
- Food Grade Compliance: CE 1935/2004
- Gasket Compliance: FDA - USP Class VI
- Proprietary closure systems simplify operations
- Customizable with optional accessories
- Certificates: 3.1 EN 10204
- User-manual and declaration of conformity included.

Dimensional Data		
Cartridges Number X Height	01x5"	0.1x2.5"
TOTAL VESSEL VOLUME (Litres)	0.36	0.22
C (mm)	198.0	112.0

Specifications

Cartridge Connection Options:

- Height: 2.5 and 5"
- Attachment: Internal o-ring 116

Operating Conditions:

- 10bar @ 40°C (145psi @ 104°F)

Surface Finish:

- Mirror polished external finish, mechanically polished internal finish Ra <0,8 µm (32 µin).

Fittings and Connections:

- Vent and drains BSP
- In / out connections BSP, Clamp ASME BPE.

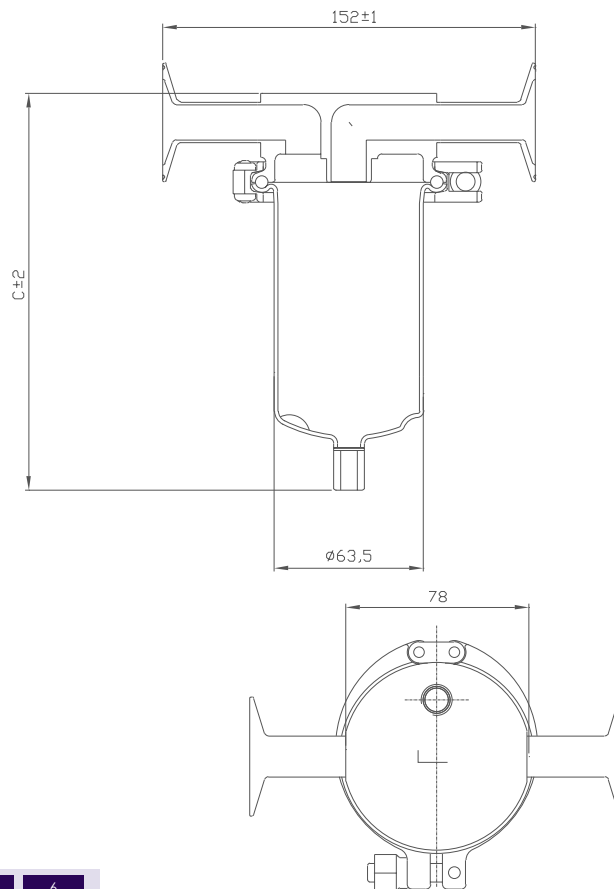
Gasket Materials:

- Standard size gaskets available in Silicone, EPDM, Viton® and FEP and encapsulated Silicone (1).

Qualification and Documentation:

- Free documents supplied: User manual, Declaration of Conformity and Test Report.
- Cartridge connection verified on 100% of the housings.
- Hydraulic test and final verification carried out before each shipment.

Dimensions



Ordering Information

Product Code: JH - 1 2 3 4 5 6

1: Bowl Height		2: Seals		3: Closure System		4: Vent & Drain		5: Surface Finish		6: Connections	
A	5"	S	Silicone	S	Standard	77	BSPF 1/4	8	Ra<0.8 µm	T010	Clamp 1.0" (ASME BPE)
B	2.5"	E	EPDM	B	Bolted Clamp	88	BSPF 1/4 + Plug	4	Ra<0.4 µm (T010 only)	B005	BSPF 0.5"
		V	Viton®	D	Double Bolted Clamp	33	NPTF 1/4"			N005	NPTF 0.5"

SI Industrial Housings

Standard Industrial Housing



Single cartridge T-Style housing designed for industrial applications. Available with different types of cartridge attachment and equipped with a quick release v-band.

Features and Benefits

- Suitable for SIP and CIP
- Excellent value for money and high performance.
- High definition custom laser marking
- Each filter housing has a specific serial number that allows its identification
- Available for cartridges from 10" to 40" and with 226 code 7-bayonet, DOE and 222 code 8 couplings.
- The T-Style geometry facilitates installation even upside down.
- Quick Release V-Band.
- The AISI316L stainless steel used for the parts in contact with the fluid guarantees high sealing and resistance to corrosion.
- Compliant with PED 2014/68 / in accordance with SEP (Sound Engineering Practice) and ATEX 2014/34 / EU.
- Easy to assemble filter housing, legless and upside down.
- Accessories available for venting and drains.
- Sturdy packaging suitable for international transport.

Dimensional Data				
Cartridges Height	10"	20"	30"	40"
C mm/inch	382 (15.03)	637 (25.07)	892 (35.11)	1147 (45.15)
Y mm/inch	320 (12.59)	575 (22.63)	830 (32.67)	1085 (42.71)
TOTAL VESSEL VOL. litres/gallons	1.9 (0.50)	3.4 (0.89)	4.8 (1.26)	6.3 (1.66)

Specifications

Operating Conditions:

- Single cartridge filter housing
- Cartridge heights of 10", 20", 30" and 40"
- 8bar @ 40°C (116psi @ 104°F)
- 6.2bar @ 150°C (89.9psi @ 302°F).

Surface Finish:

- Mechanically polished internal and external finish.

Fittings and Connections:

- DOE bindings, 226 code 7 (bayonet), 222 code 8.
- Vent and drains available with 1/4" BSP and 1/4" NPT connection.
- Inlet / Outlet connections BSPF 3/4", BSPF 1.0", Butt Weld 33.7 mm, 3/4" NPT and 1" NPT connections.

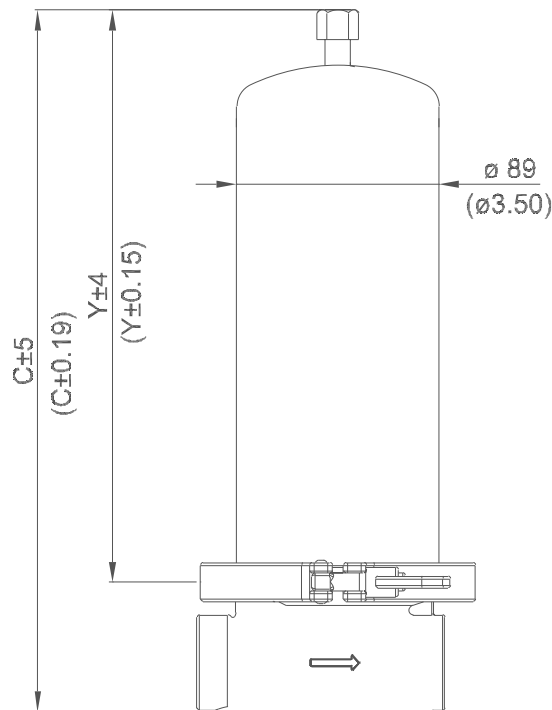
Gasket Materials:

- Gaskets with standard dimensions available in Silicone, EPDM and Viton®.

Qualification and Documentation:

- Documents provided free of charge: User manual, Declaration of Conformity, Test Report.
- Hydraulic test and final verification carried out before each shipment.

Dimensions



Ordering Information

Product Code: SI -



1: Connector Type

7	Code 7 (226)
8	Code 8 (222)
D	DOE

2: Bowl Height

10	10"
20	20"
30	30"
40	40"

3: Seals

S	Silicone
E	EPDM
V	Viton®

4: Closure System

S	Standard (liquid only)
D	Double Clamp (8 bar)
H	Double Clamp (16 bar)

5: Connections

B008	BSPF 3/4"
B010	BSPF 1"
W033	Weld OD 33.7x1.85"
N008	NPTF 3/4"
N010	NPTF 1"
Other sizes available on request	

SG Sanitary Housings

Sanitary Gas Housings



T-style, single cartridge with a hygienic-sanitary design, the SG is designed with a condensation chamber for the filtration of air and gas for the Food and Beverage, Chemical and Pharmaceutical Industry.

It works at 10 bar or 16 bar with a wide choice of IN / OUT connections such as clamp ASME, BSP, DIN11851, flange, butt weld and NPT. The KC is also available with a Staubli, Rectus type side door and hose connection on the breather.

Features and Benefits

- Sanitary filter for gas with 1 cartridge from 05" to 40", designed with condensation chamber for gas filtration.
- The series has a range of standard and on-demand certificates (material certificates, roughness, FDA, USP compliance, roughness certificate).
- PED 2014/68 / EU, ATEX 2014/34 / EU and food compatibility EC 1935/2004.
- Internal surface finish Ra <0,8 µm (32 µin) guaranteed only in downstream. The outer surface is mirror polished.

Dimensional Data			
Cartridge X Height (N)	C mm	Volume Liters (V)	PED Category
01 x 10"	520	3.0	3.3
01 x 20"	770	4.5	3.3
01 x 30"	1020	6.0	1
01 x 40"	1270	7.5	1

Other dimensions available on request.

Specifications

Operating Conditions:

- 10bar @ 150°C (145psi @ 302 °F)
- 16bar @ 150°C (232psi @ 302°F).

Surface Finish:

- Mirror polished external finish, mechanically polished internal finish Ra <0,8 µm (32 µin).
- Electropolishing and Ra <0,4 µm (16 µin) available on request.

Fittings and Connections:

- In / out connections clamp, BSP, DIN11851, Butt Weld, Flange and NPT.
- Accepts only 226 cartridge end connection.
- Other inlet/outlet connections available on request.

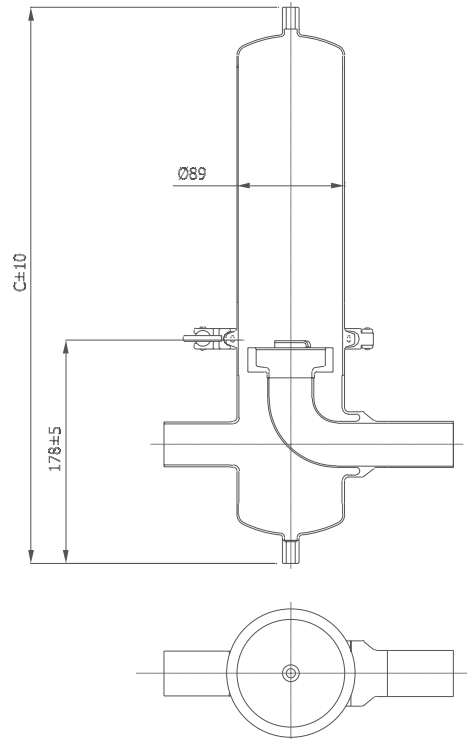
Gasket Materials:

- Standard size gaskets available in Silicone, EPDM and Viton® and PTFE (1)

Qualification and Documentation:

- Free documents supplied: User manual, Declaration of Conformity and Test Report.
- Cartridge connection verified on 100% of the housings.
- Hydraulic test and final verification carried out before each shipment.

Dimensions



Ordering Information

Product Code: SG - 1 2 3 4 5 6 7 8

1: Class		2: No. Carts		3: Bowl Height		4: Seals		5: Closure System		6: Vent & Drain		7: Surface Finish		8: Connections	
0	10 bar max	01	1 cartridge	10	10"	S	Silicone	S	Standard	77	BSPF 1/4"	8	Ra<0.8 µm	T010	Clamp 1.0" (ASME BPE)
1	16 bar max	03	3 cartridges	20	20"	P	PTFE (Double Clamp)	D	Double Clamp	33	NPTF 1/4"			T015	Clamp 1.5" (ASME BPE)
		05	5 cartridges	30	30"	E	EPDM			Other sizes available on request				T020	Clamp 2.0" (ASME BPE)
		Other sizes available on request		40	40"	V	Viton®							B015	BSP 1.5"
														B020	BSP 2.0"
														D025	DIN11851 DN25
														D040	DIN11851 DN40
														D050	DIN11851 DN50
														N010	NPT 1"
														N015	NPT 1.5"
														N020	NPT2"
														Other sizes available on request	

PL Industrial Housings

Multi-round cartridge housing



Complete drainability L-Style filter housing, multi-cartridges series, with a wide range of sockets designed for Industrial applications.

L-Style geometry allows complete drainage of the collecting chamber assisting the total cleanliness.

The heavy duty split bowl guarantees cartridges easy access. Full range from 10"-40" cartridges accepts 226 code 7-bayonet, DOE and 222 code 8. AISI 316L grade stainless steel used for all wetted parts assures corrosion resistance and durability.

PED 2014/68/ in accordance with SEP (Sound Engineering Practice) and ATEX 2014/34/EU compliance.

Features and Benefits

- Bowl special design assures high resistance to bad falls.
- Suitable for CIP.
- Special safety design closure vee band as standard system closure.
- Supplied with adjustable legs for easy installation and adjustment.
- Customized high quality laser marking etching.
- Filter housing identification by its own specific fabric number.

Dimensional Data									
Cartridge No x High (G)	De mm	R mm	T mm	N mm	C mm	E mm	L mm	S mm	VOLUME litres (V)
03 x 20"	168	221	192	128	1152	387	133	370	13.7
03 x 30"	168	221	192	128	1402	637	133	370	19.1
03 x 40"	168	221	192	128	1652	887	133	370	24.4
05 x 20"	219	266	230	153	1155	390	168	347	23.5
05 x 30"	219	266	230	153	1405	640	168	347	32.7
05 x 40"	219	266	230	153	1655	890	168	347	41.9
08 x 30"	273	313	271	181	1418	653	205	319	51.1
08 x 40"	273	313	271	181	1668	903	205	319	65.4

Specifications

Operating Conditions:

- 10bar @ 40°C (145psi @ 104°F)
- 06bar @ 90°C (87psi @ 194°F).

Surface Finish:

- External finishing shot peened internal finishing pickled and passivated.

Fittings and Connections:

- Vent and drains connections BSP 1/2"
- Inlet/Outlet connections BSP and flanges.

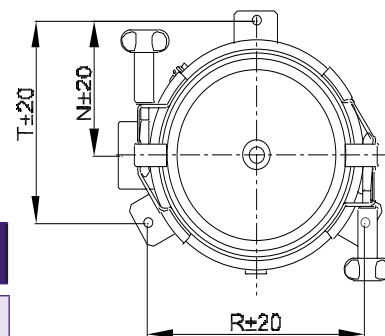
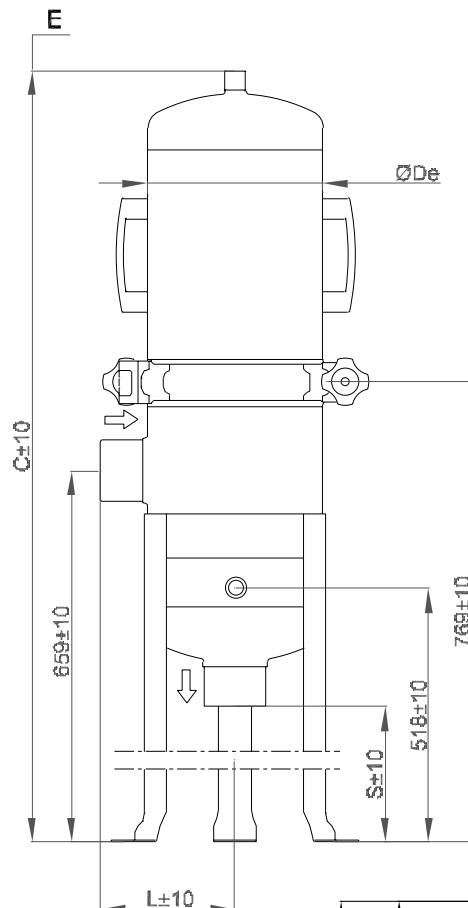
Gasket Materials:

- Standard size gaskets available in Silicone and EPDM.

Qualification and Documentation:

- Free documents supplied: User manual, Declaration of Conformity and Test Report.
- Hydraulic test and final verification carried out before each shipment.
- Heavy duty packaging.

Dimensions



Ordering Information

Product Code: PL - 1 2 3 4 5

1: No. Cartridges		2: Bowl Height		3: Connector Type		4: Seals		5: Connections	
03	3 cartridges	20	20"	D	DOE	S	Silicone	BXXX	BSP Male
05	5 cartridges	30	30"	7	226/Code 7	E	EPDM	UXXX	Flange EN1092-1
08	8 cartridges	40	40"	8	222/Code 8				Cartridge dependant bore size.

Plastic Housings



Plastic Filter Housings

For a range of liquid applications



Our plastic filter housings are ideal for use within a wide range of industries where filtered liquids must remain free of contamination. These housings are particularly effective in the process water, food and beverage and chemical processing industries.

In critical applications, all-natural housings guarantee the cost-effective filtration of a variety of solvents, acids, alcohols and chemicals without leaching or bacterial build up.

Our 100% polypropylene filter housings, without color, adders, fillers, reinforcements or lubricants, provide an inexpensive alternative to Teflon™ or fluoropolymer housings.

Features and Benefits

- **Excellent Chemical Compatibility**
Suitable for use with a variety of solvents, acids, alcohols and chemicals.
- **Flexible Options**
Plastic filter housings are available for use with industry standard 2-1/2" and 4-1/2" diameter filter cartridges. Available in a wide variety of materials and pipe connections to match application requirements: FDA Grade Polypropylene, Clear Styrene Acrylonitrile (SAN), High Strength Glass Reinforced Nylon (for high temperature applications) and Pure Polypropylene.
- **Cannot be Over Tightened**
Plastic housings feature a unique bowl to head thread design which prevents overtightening, reducing the risk of water leakage.
- **Fully Tested**
Full testing to industry standards to the Water Quality Association for burst pressure, water tightness and fatigue resistance.

Applications

Our plastic filter housings are suitable for a wide range of process liquids. Typical applications include:

- **Food and Beverage**
Process waters, polishing lines and clarification
- **Process and Potable Water**
The filtration of process water installations for removal of general contamination and resin fines
- **Semi-conductor**
High-purity and fine chemical filtration
- **Reverse Osmosis Pre-filtration**
Particulate removal prior to reverse osmosis polishing
- **De-ionised Water**
For use in de-mineralised and de-ionised water systems, for the supply of ultra-pure water
- **Chemical Processing**
For the clarification and sterilisation of a wide range of process chemicals
- **Coatings**
Coating lines, solvents, inks and dyes
- **Printing**
For bulk ink and chemical filtration, as well as the clarification of fountain and wash solutions
- **Oils**
Including lubricating, hydraulic and cutting fluids.

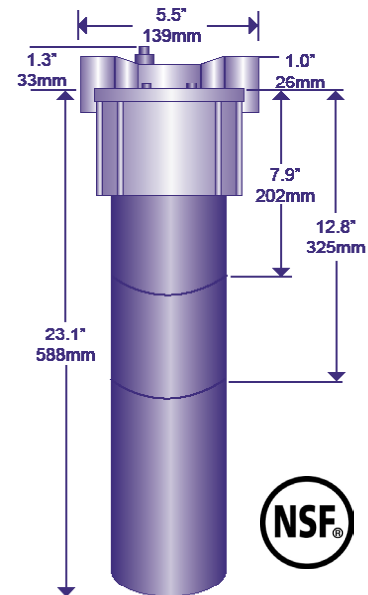
Standard Plastic Filter Housings

For liquid applications



Standard housings offer the following:

- White talc reinforced polypropylene head with blue talc reinforced or clear styrene acrylonitrile (SAN) bowl
- Standard $\frac{3}{4}$ " NPT or $\frac{3}{4}$ " BSP connections
- Securely retained Buna "N" O-ring to ensure effective static sealing
- Positive head to bowl 'stop' to prevent bowl over tightening
- Available from stock with or without pressure relief vent button
- Custom colors available by special order
- Mounting bosses in head for available bracket
- Accepts industry standard cartridge size:
 - OD: $2\frac{3}{4}$ " (70mm)
 - $2\frac{1}{2}$ " (64mm)
 - ID: 1" (25mm)
 - Length: Half: $4\frac{7}{8}$ " (124mm)
 - Full: $9\frac{3}{4}$ " (248mm)
 - Double: 20" (508mm)
- Full testing to industry standards of the Water Quality Association for burst pressure, water tightness and fatigue resistance
- All standard housings accept DOE filter cartridges



The model 11N, 21N, and 23N filter housings are tested and certified by NSF International under ANSI/NSF Standard 42 for material and structural integrity requirements.

Specifications

Model number*†	Max. operating temperature °F (°C)	Max. operating pressure psi (bar)**	Shipping weight lb (kg)***	Cartridge size	Cartridge type	Housing material and style (all have white polypropylene head)
11N	125 (52)	150 (10)	3.3 (1.50)	10" (254mm)	DOE	Blue polypropylene bowl
12N	125 (52)	150 (10)	2.6 (1.18)	5" (127mm)	DOE	Blue polypropylene bowl
13N	125 (52)	150 (10)	4.5 (2.04)	20" (508mm)	DOE	Blue polypropylene bowl
21N	125 (52)	150 (10)	3.3 (1.50)	10" (255mm)	DOE	Clear styrene bowl
22N	125 (52)	150 (10)	2.6 (1.18)	5" (127mm)	DOE	Clear styrene bowl
23N	125 (52)	150 (10)	4.5 (2.04)	20" (508mm)	DOE	Clear styrene bowl

* Housings can be ordered with a differential pressure gauge by adding the letter "G" after the model number. Housings can be ordered without a relief button by adding the letter "X" after the model number.

† NPT fittings as standard. Add a B after the model number to order BSP fittings. ** At 70°F (21°C) ***Multiply by 12 to obtain weight per case.

High Temperature Nylon Housings

For liquid applications



This range of filter housings is suitable for high temperature applications. Features include:

- High strength glass reinforced nylon head and bowl
- Securely retained Buna "N" O-ring to ensure effective static sealing
- Distinctive red color
- Standard 3/4" NPT or 3/4" BSP connections
- Full testing to industry standards of the Water Quality Association for burst pressure, water tightness and fatigue resistance
- Not available with pressure relief vent button.

Specifications

Model number*	Max. operating temperature °F (°C)	Max. operating pressure psi (bar)*	Shipping weight lb (kg)**	Cartridge size	Housing material and style
31	165 (74)	100 (6.9)	3.2 (1.45)	10" (254mm)	Red reinforced nylon head and bowl
32	165 (74)	100 (6.9)	2.3 (1.04)	5" (127mm)	Red reinforced nylon head and bowl

Ordering Information

For ordering information please contact a member of the sales team.

Pure Polypropylene Housings



Our pure polypropylene filter housings are ideal for use in all industries where filtered liquids must remain totally free of contamination. These housings are especially essential in the semi-conductor, pharmaceutical and chemical processing industries. They are constructed entirely of virgin polypropylene without color, adders, fillers, reinforcements or lubricants.

In critical applications, these all-natural housings ensure pure, cost-effective filtration of a variety of solvents, acids, alcohols and chemicals without leaching or bacterial build up. Our 100% polypropylene housings provide an inexpensive alternative to Teflon™ or fluoropolymer housings.

Applications include:

- De-ionised water
- Laboratory instrumentation and equipment
- Pharmaceutical /cosmetic solvents
- Electronic solutions and chemicals
- Post filter for reverse osmosis or ultrafiltration

Features include:

- 100% polypropylene construction
- Smooth contact surfaces to prevent bacteria and dirt buildup
- Includes a non-lubricated silicone O-ring as standard
- Standard 3/4" NPT or 3/4" BSP connections

Specifications

Model number*†	Max. operating temperature °F (°C)	Max. operating pressure psi (bar)**	Shipping weight kg (lb)***	Cartridge size	Cartridge type	Housing style
51NX	125 (52)	150 (10)	2.4 (1.09)	10" (254mm)	DOE	w/o pressure relief button
51NXD	125 (52)	150 (10)	2.4 (1.09)	10" (254mm)	DOE	w/ tapped drain
51NX-222	125 (52)	150 (10)	2.4 (1.09)	10" (254mm)	222	w/ 222 O-ring configuration
51NXD-222	125 (52)	150 (10)	2.4 (1.09)	10" (254mm)	222	w/ 222 O-ring configuration and drain
52NX	125 (52)	150 (10)	1.2 (0.54)	5" (127mm)	DOE	w/o pressure relief button
53NX	125 (52)	150 (10)	3.4 (1.54)	20" (508mm)	DOE	w/o pressure relief button
53NXD	125 (52)	150 (10)	3.4 (1.54)	20" (508mm)	DOE	w/ tapped drain
53NX-222	125 (52)	150 (10)	3.4 (1.54)	20" (508mm)	222	w/ 222 O-ring configuration
53NXD-222	125 (52)	150 (10)	3.4 (1.54)	20" (508mm)	222	w/ 222 O-ring configuration and drain

* Housings can be ordered with a differential pressure gauge by adding the letter "G" after the model number.

† NPT fittings as standard. Add a B after the model number to order BSP fittings.

At 70°F (21°C). *Multiply by 12 to obtain weight per case. 1/4" NPT vent and drain.

Porvair's GIANT HOUSING® Series



The GIANT HOUSING® series offers maximum filtration capacity in a compact unit. These housings feature:

- Talc polypropylene, clear styrene, pure polypropylene and glass reinforced nylon construction
- Unique 'stacked threads' - both 1" and 1-1/2" NPT or BSP connections in the same head
- Bag housings in all materials, (bags are also available)
- Optional differential pressure gauge available

The GIANT HOUSING® series, with a 222 fitting in the head will only take 222 style GIANT cartridges. These are available with white talc polypropylene heads and white talc polypropylene or clear styrene bowls.

Ordering Information

For ordering information please contact a member of the sales team.

Specifications - for cold liquid applications

Model number*†	Max. operating temperature °F (°C)	Max. operating pressure psi (bar)*	Shipping weight lb (kg)**	Cartridge size	Cartridge type	Housing material and style
BG10	125 (52)	100 (6.9)	5.10 (2.31)	10" (254mm)	DOE	White polypropylene head, blue polypropylene bowl
BG10222	125 (52)	100 (6.9)	5.10 (2.31)	10" (254mm)	222	White polypropylene head, blue polypropylene bowl
BG20	125 (52)	100 (6.9)	7.13 (3.23)	20" (508mm)	DOE	White polypropylene head, blue polypropylene bowl
BG20222	125 (52)	100 (6.9)	7.13 (3.23)	20" (508mm)	222	White polypropylene head, blue polypropylene bowl
CG10	125 (52)	100 (6.9)	4.13 (1.87)	10" (254mm)	DOE	White polypropylene head, clear styrene bowl
CG10222	125 (52)	100 (6.9)	4.13 (1.87)	10" (254mm)	222	White polypropylene head, clear styrene bowl
CG20	125 (52)	100 (6.9)	7.12 (3.23)	20" (508mm)	DOE	White polypropylene head, clear styrene bowl
CG20222	125 (52)	100 (6.9)	7.12 (3.23)	20" (508mm)	222	White polypropylene head, clear styrene bowl
NPGX10	125 (52)	100 (6.9)	3.13 (1.42)	10" (254mm)	DOE	Pure polypropylene w/o pressure relief button
NPGXD10	125 (52)	100 (6.9)	3.13 (1.42)	10" (254mm)	DOE	Pure polypropylene w/ tapped drain
NPGX20	125 (52)	100 (6.9)	5.15 (2.34)	20" (508mm)	DOE	Pure polypropylene w/o pressure relief button
NPGXD20	125 (52)	100 (6.9)	5.15 (2.34)	20" (508mm)	DOE	Pure polypropylene w/ tapped drain
NG10222	125 (52)	100 (6.9)	3.13 (1.42)	10" (254mm)	222	Pure polypropylene head, blue polypropylene bowl
NG20222	125 (52)	100 (6.9)	5.15 (2.34)	20" (508mm)	222	Pure polypropylene head, blue polypropylene bowl

* At 70°F (21°C). † NPT fittings as standard. Add a B after the model number to order BSP fittings. ** Multiply by 12 to obtain weight per case. 1/4" NPT vent and drain.

Specifications - for high temperature applications

Model number*	Max. operating temperature °F (°C)	Max. operating pressure psi (bar)*	Shipping weight lb (kg)**	Cartridge size	Housing material and style
HTGX10	180 (82)	100 (6.9)	5.88 (2.67)	Full	Reinforced nylon head and bowl
HTGX20	180 (82)	100 (6.9)	8.25 (3.74)	Double	Reinforced nylon head and bowl

* NPT fittings as standard. Add a B after the model number to order BSP fittings. ** Multiply by 12 to obtain weight per case.





Porvair Filtration Group Ltd.

Queensway, Stem Lane,
New Milton, Hampshire
BH25 5NN, UK
Tel: +44 (0)1425 612010
Email: info@porvairfiltration.com

Porvair Filtration Group Inc.

301 Business Lane
Ashland, Virginia 23005, USA
Tel: +1 804 550 1600
Email: infoUS@porvairfiltration.com

Porvair Filtration India PVT. Ltd.

Gangotri Glacier Annex, Kavesar
Opposite Vijay Nagari, Off Ghodbunder
Road, Thane (W), 400607, India
Tel: +91 22 25 976464 / +91 22 25 976465
Email: infoIN@porvairfiltration.com

www.porvairfiltration.com

Porvair, Sinterflo, and Vyon are registered trademarks of Porvair plc.

© Copyright 2021. Porvair Filtration Group Ltd. All rights reserved.

Whilst every effort has been made to ensure the accuracy of this document, due to continuous product development, the data contained is subject to constant revision and Porvair Filtration Group Ltd. reserves the right to change, alter or modify its contents.

PF1300 Oct21/Rev2:Feb2023